



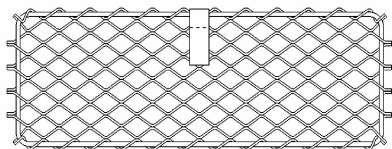
# GENUINE PARTS

## INSTALLATION INSTRUCTIONS

<b>DESCRIPTION:</b>	Console Net
<b>APPLICATION:</b>	QX50
<b>PART NUMBER:</b>	T99C7 5NA0A

**KIT CONTENTS:**

Item	Qty.	Part Description
A	1	Console Net
B	1	Installation Instruction Replacement Template
C	1	Installation Hardware Kit
D	4	• 1/4 Turn Fastener
E	1	Drill Template



**A**



**B**



**D**

**TOOLS REQUIRED:**

- Drill
- Masking Tape
- 7mm (9/32") drill bit

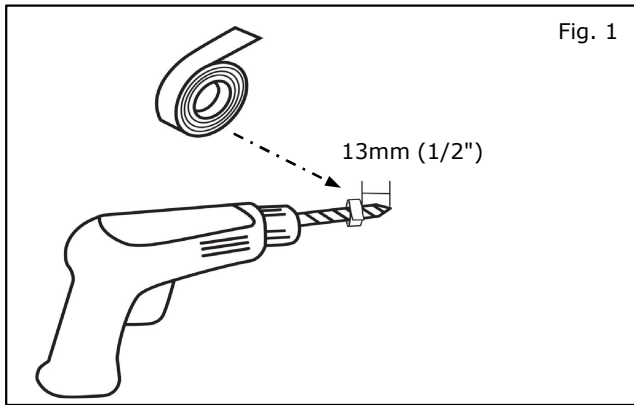
**PRE-INSTALLATION WARNINGS, CAUTIONS, CRITICAL STEPS, and NOTES:**

- Dealer installation recommended.
- Ensure that net is securely attached so cargo does not fall out during transit.
- Keep this installation instruction sheet with Vehicle Owner's Manual for future reference.
- Max load not to exceed 5 lbs.
- Net suitable for installation on passenger side of vehicle only.
- Net is not a cargo retention device and is not intended to secure items during a collision.
- Loaded contents of net shall not exceed perimeter bungee.
- Do not load sharp objects.

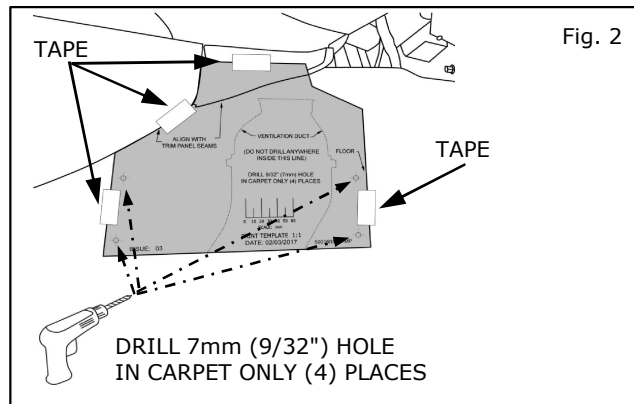
**⚠ CAUTION**

- Wiring located behind installation points, exercise caution when drilling.

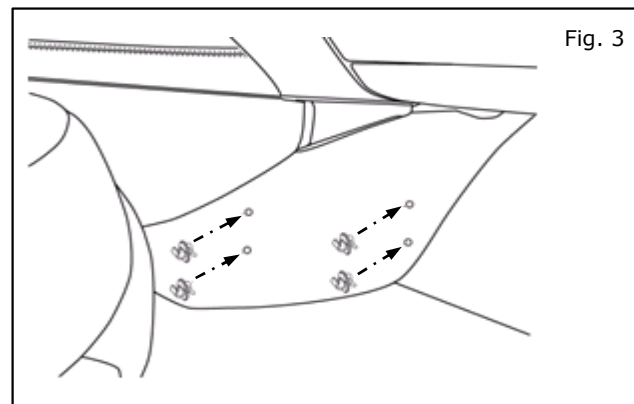
## INSTALLATION PROCEDURE:



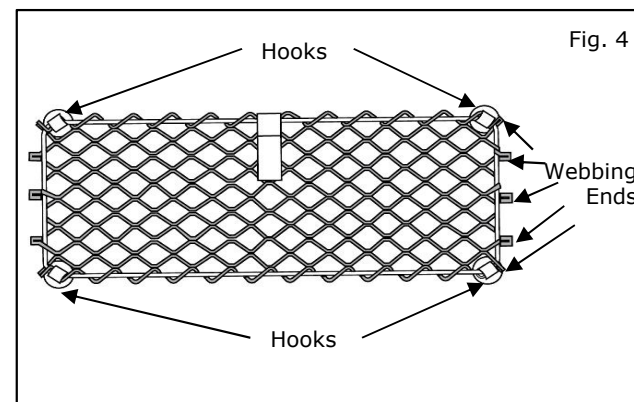
- 1) Wrap masking tape on 7mm (9/32") drill bit to limit drill depth to 13mm (1/2").



- 2) Cut template as instructed.
- 3) Align template as shown on passenger side center console; tape to secure.
- 4) Drill at 4 locations on template and remove template.



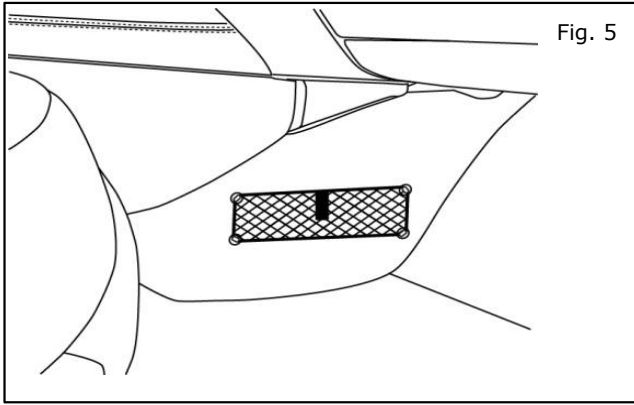
- 5) Install 1/4 turn fasteners at 4 drilled locations and rotate clockwise to engage.



### NOTE:

- When attaching hooks, ensure there are five webbing ends between top and bottom hook on both sides of net. See Figure.
- Loop bungee portion of net around hooks.

**INSTALLATION PROCEDURE:**



- 6) Attach bungee to 4 fasteners.